

ThinkPad

**ThinkPad X200 UltraBase User
Guide**

ThinkPad

**ThinkPad X200 UltraBase User
Guide**

Attention

Refer to the documentation that comes with your computer before installing the product.

Note

Be sure to keep your proof of purchase, because it might be required for warranty services. (See Appendix A, "Service and Support," on page A-1, Appendix B, "Lenovo Limited Warranty," on page B-1 and Appendix D, "Notices," on page D-1.)

First edition (April 2008)

© Copyright Lenovo 2008. All rights reserved.

LENOVO products, data, computer software, and services have been developed exclusively at private expense and are sold to governmental entities as commercial items as defined by 48 C.F.R. 2.101 with limited and restricted rights to use, reproduction and disclosure.

LIMITED AND RESTRICTED RIGHTS NOTICE: If products, data, computer software, or services are delivered pursuant a General Services Administration "GSA" contract, use, reproduction, or disclosure is subject to restrictions set forth in Contract No. GS-35F-05925.

Contents

Safety information	v
General safety guidelines	vii
Service	vii
Power cords and power adapters	vii
Extension cords and related devices	viii
Plugs and outlets	viii
Batteries	ix
Heat and product ventilation	ix
CD and DVD drive safety	x
About the ThinkPad X200 UltraBase	1-1
Registering your option	1-1
Product description	1-1
Installation	1-2
Appendix A. Service and Support	A-1
Online technical support	A-1
Telephone technical support	A-1
Appendix B. Lenovo Limited Warranty	B-1
Warranty information.	B-5
Suplemento de Garantía para México	B-7
Appendix C. Lenovo Limited Warranty - Customer Notice	C-1
Appendix D. Notices	D-1
Recycling information	D-2
Lenovo product substance disclosure table	D-3
Important information for the European Directive 2002/96/EC.	D-3
Appendix E. Electronic emission notices	E-1
Federal Communications Commission (FCC) Declaration of Conformity	E-1
Appendix F. Trademarks	F-1

Safety information

Before installing this product, read the Safety Information.

مج، يجب قراءة دات السلامة

Antes de instalar este produto, leia as Informações de Segurança.

在安装本产品之前，请仔细阅读 **Safety Information** (安全信息)。

Prije instalacije ovog produkta obavezno pročitajte Sigurnosne Upute.

Před instalací tohoto produktu si přečtete příručku bezpečnostních instrukcí.

Læs sikkerhedsforskrifterne, før du installerer dette produkt.

Ennen kuin asennat tämän tuotteen, lue turvaohjeet kohdasta Safety Information.

Avant d'installer ce produit, lisez les consignes de sécurité.

Vor der Installation dieses Produkts die Sicherheitshinweise lesen.

Πριν εγκαταστήσετε το προϊόν αυτό, διαβάστε τις πληροφορίες ασφάλειας (safety information).

לפני שתתקינו מוצר זה, קראו את הוראות הבטיחות.

A termék telepítése előtt olvassa el a Biztonsági előírásokat!

Prima di installare questo prodotto, leggere le Informazioni sulla Sicurezza.

製品の設置の前に、安全情報をお読みください。

본 제품을 설치하기 전에 안전 정보를 읽으십시오.

Пред да се инсталира овој продукт, прочитајте информацијата за безбедност.

Lees voordat u dit product installeert eerst de veiligheidsvoorschriften.

Les sikkerhetsinformasjonen (Safety Information) før du installerer dette produktet.

Przed zainstalowaniem tego produktu, należy zapoznać się z książką "Informacje dotyczące bezpieczeństwa" (Safety Information).

Antes de instalar este produto, leia as Informações sobre Segurança.

Перед установкой продукта прочтите инструкции по технике безопасности.

Pred inštaláciou tohto produktu si prečítajte bezpečnostné informácie.

Pred namestitvijo tega proizvoda preberite Varnostne informacije.

Antes de instalar este producto lea la información de seguridad.

Läs säkerhetsinformationen innan du installerar den här produkten.

安裝本產品之前，請先閱讀「安全資訊」。

General safety guidelines

Always observe the following precautions to reduce the risk of injury and property damage.

Service

Do not attempt to service a product yourself unless instructed to do so by the Customer Support Center. Use only a service provider who is approved to repair your particular product.

Note: Some parts can be upgraded or replaced by the customer. These parts are referred to as Customer Replaceable Units, or CRUs. Lenovo[®] expressly identifies CRUs as such, and provides documentation with instructions when it is appropriate for customers to replace those parts. You must closely follow all instructions when performing such replacements. Always make sure that the power is turned off and that the product is unplugged from any power source before you attempt the replacement. If you have any questions or concerns, contact the Customer Support Center.

Power cords and power adapters

Use only the power cords and power adapters supplied by the product manufacturer.

Never wrap a power cord around the power adapter or other object. Doing so can stress the cord in ways that can cause the cord to fray, crack or crimp. This can present a safety hazard.

Always route power cords so that they will not be walked on, tripped over, or pinched by objects.

Protect the cord and power adapters from liquids. For instance, do not leave your cord or power adapter near sinks, tubs, toilets, or on floors that are cleaned with liquid cleansers. Liquids can cause a short circuit, particularly if the cord or power adapter has been stressed by misuse. Liquids can also cause gradual corrosion of the power cord terminals and/or the connector terminals on the adapter which can eventually result in overheating.

Always connect power cords and signal cables in the correct order and ensure that all power cord connectors are securely and completely plugged into receptacles.

Do not use any power adapter that shows corrosion at the ac input pins and/or shows signs of overheating (such as deformed plastic) at the ac input or anywhere on the power adapter.

Do not use any power cords where the electrical contacts on either end show signs of corrosion or overheating or where the power cord appears to have been damaged in any way.

Extension cords and related devices

Ensure that extension cords, surge protectors, uninterruptible power supplies, and power strips that you use are rated to handle the electrical requirements of the product. Never overload these devices. If power strips are used, the load should not exceed the power strip input rating. Consult an electrician for more information if you have questions about power loads, power requirements, and input ratings.

Plugs and outlets

If a receptacle (power outlet) that you intend to use with your computer equipment appears to be damaged or corroded, do not use the outlet until it is replaced by a qualified electrician.

Do not bend or modify the plug. If the plug is damaged, contact the manufacturer to obtain a replacement.

Some products are equipped with a three-pronged plug. This plug fits only into a grounded electrical outlet. This is a safety feature. Do not defeat this safety feature by trying to insert it into a non-grounded outlet. If you cannot insert the plug into the outlet, contact an electrician for an approved outlet adapter or to replace the outlet with one that enables this safety feature. Never overload an electrical outlet. The overall system load should not exceed 80 percent of the branch circuit rating. Consult an electrician for more information if you have questions about power loads and branch circuit ratings.

Be sure that the power outlet you are using is properly wired, easily accessible, and located close to the equipment. Do not fully extend power cords in a way that will stress the cords.

Connect and disconnect the equipment from the electrical outlet carefully

Batteries

All personal computers manufactured by Lenovo contain a non-rechargeable coin cell battery to provide power to the system clock. In addition many mobile products such as ThinkPad notebook PCs utilize a rechargeable battery pack to provide system power when in portable mode. Batteries supplied by Lenovo for use with your product have been tested for compatibility and should only be replaced with Lenovo approved parts.

Never attempt to open or service any battery. Do not crush, puncture, or incinerate batteries or short circuit the metal contacts. Do not expose the battery to water or other liquids. Only recharge the battery pack strictly according to instructions included in the product documentation.

Battery abuse or mishandling can cause the battery to overheat, which can cause gasses or flame to “vent” from the battery pack or coin cell. If your battery is damaged, or if you notice any discharge from your battery or the buildup of foreign materials on the battery leads, stop using the battery and obtain a replacement from the battery manufacturer.

Batteries can degrade when they are left unused for long periods of time. For some rechargeable batteries (particularly Lithium Ion batteries), leaving a battery unused in a discharged state could increase the risk of a battery short circuit, which could shorten the life of the battery and can also pose a safety hazard. Do not let rechargeable Lithium-Ion batteries completely discharge or store these batteries in a discharged state.

Heat and product ventilation

Computers generate heat when turned on and when batteries are charging. Notebook PCs can generate a significant amount of heat due to their compact size. Always follow these basic precautions:

- Do not leave the base of your computer in contact with your lap or any part of your body for an extended period when the computer is functioning or when the battery is charging. Your computer produces some heat during normal operation. Extended contact with the body could cause discomfort or, potentially, a skin burn.
- Do not operate your computer or charge the battery near flammable materials or in explosive environments.
- Ventilation slots, fans and/or heat sinks are provided with the product for safety, comfort, and reliable operation. These features might inadvertently become blocked by placing the product on a bed, sofa, carpet, or other flexible surface. Never block, cover or disable these features.

CD and DVD drive safety

CD and DVD drives spin discs at a high speed. If a CD or DVD is cracked or otherwise physically damaged, it is possible for the disc to break apart or even shatter when the CD drive is in use. To protect against possible injury due to this situation, and to reduce the risk of damage to your machine, do the following:

- Always store CD/DVD discs in their original packaging
- Always store CD/DVD discs out of direct sunlight and away from direct heat sources
- Remove CD/DVD discs from the computer when not in use
- Do not bend or flex CD/DVD discs, or force them into the computer or their packaging
- Check CD/DVD discs for cracks before each use. Do not use cracked or damaged discs

About the ThinkPad X200 UltraBase

This section provides information on registering, installing, and using the ThinkPad® X200 UltraBase™.

Registering your option

Thank you for purchasing this Lenovo product. Please take a few moments to register your product and provide us with information that will help Lenovo to better serve you in the future. Your feedback is valuable to us in developing products and services that are important to you, as well as in developing better ways to communicate with you. Register your option on the following Web site:

<http://www.lenovo.com/register>

Lenovo will send you information and updates on your registered product unless you indicate on the Web site questionnaire that you do not want to receive further information.

Product description

The ThinkPad X200 UltraBase works only with the ThinkPad X200 models. It can extend the capabilities of your computer by enabling it to use the Serial Ultrabay™ Slim and various optional devices.

CAUTION:

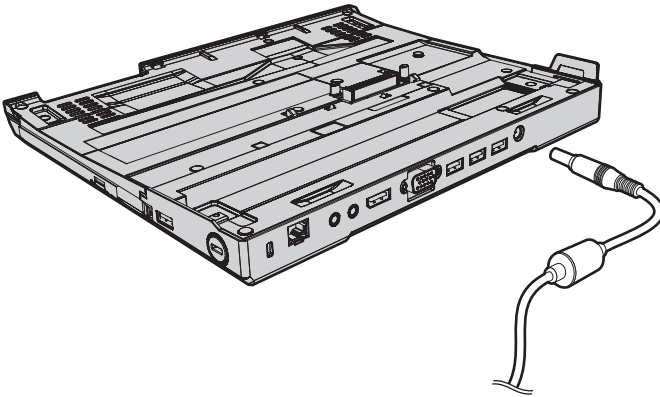
To reduce the risk of fire, use only No.26 AWG or larger (for example, No. 24 AWG) telecommunication line cord listed by Underwriters Laboratories (UL) or certified by the Canadian Standards Association (CSA).

Attention: AC power adapter: Use the UL Listed Power Supply, rated 20 Vdc 3.25 A or equivalent.

Installation

Attention: Before you attach the ThinkPad X200 UltraBase, connect the AC power adapter as illustrated. Disconnect the AC power adapter from your computer, or you might damage the AC power adapter.

Attention: UltraBase charger is located on the left side of the ThinkPad X200 UltraBase. Do not carry the ThinkPad X200 UltraBase with the battery attached to the charger.



For details about setting up and using the ThinkPad X200 UltraBase, refer to Access Help or the Setup Instructions that came with this option.

Appendix A. Service and Support

The following information describes the technical support that is available for your product, during the warranty period or throughout the life of the product. Refer to your Lenovo Statement of Limited Warranty for a full explanation of Lenovo warranty terms.

Online technical support

Online technical support is available during the life of your product through the Lenovo Support Web site at <http://www.lenovo.com/support>.

During the warranty period, assistance for replacement or exchange of defective components is available. In addition, if your option is installed in a Lenovo computer, you might be entitled to service at your location. Your technical support representative can help you determine the best alternative.

Telephone technical support

Installation and configuration support through the Customer Support Center will be withdrawn or made available for a fee, at Lenovo's discretion, 90 days after the option has been withdrawn from marketing. Additional support offerings, including step-by-step installation assistance, are available for a nominal fee.

To assist the technical support representative, have available as much of the following information as possible:

- Option name
- Option number
- Proof of purchase
- Computer manufacturer, model, serial number, and manual
- Exact wording of the error message (if any)
- Description of the problem
- Hardware and software configuration information for your system

If possible, be at your computer. Your technical support representative might want to walk you through the problem during the call.

For a list of Service and Support phone numbers, visit <http://www.lenovo.com/support/phone>.

Appendix B. Lenovo Limited Warranty

L505-0010-00 09/2006

This Lenovo Limited Warranty applies only to Lenovo hardware products you purchased for your own use and not for resale. This warranty may sometimes be referred to as the "Statement of Limited Warranty" (SOLW) in other documents from Lenovo.

What this Warranty Covers

Lenovo warrants that each hardware product is free from defects in materials and workmanship under normal use during the warranty period. The warranty period for the product starts on the original date of purchase specified on your invoice unless Lenovo informs you otherwise in writing. The warranty period and type of warranty service that apply to your product are designated below under the section titled "**Warranty Information.**"

THIS WARRANTY IS YOUR EXCLUSIVE WARRANTY AND REPLACES ALL OTHER WARRANTIES OR CONDITIONS, EXPRESS OR IMPLIED, INCLUDING, BUT NOT LIMITED TO, THE IMPLIED WARRANTIES OR CONDITIONS OF MERCHANTABILITY AND FITNESS FOR A PARTICULAR PURPOSE. SOME STATES OR JURISDICTIONS DO NOT ALLOW THE EXCLUSION OF EXPRESS OR IMPLIED WARRANTIES, SO THE ABOVE EXCLUSION MAY NOT APPLY TO YOU. IN THAT EVENT, SUCH WARRANTIES APPLY ONLY TO THE EXTENT REQUIRED BY LAW AND ARE LIMITED IN DURATION TO THE WARRANTY PERIOD. NO WARRANTIES APPLY AFTER THAT PERIOD. SOME STATES OR JURISDICTIONS DO NOT ALLOW LIMITATIONS ON HOW LONG AN IMPLIED WARRANTY LASTS, SO THE ABOVE LIMITATION ON DURATION MAY NOT APPLY TO YOU.

How to Obtain Warranty Service

If the product does not function as warranted during the warranty period, you may obtain warranty service by contacting Lenovo or an approved service provider. Each of them is referred to as a "Service Provider." A list of Service Providers and their telephone numbers is available at www.lenovo.com/support/phone.

Warranty service may not be available in all locations and may differ from location to location. Charges may apply outside a Service Provider's normal service area. Contact a local Service Provider for location-specific information.

What Your Service Provider Will Do to Correct Problems

When you contact a Service Provider, you must follow the problem determination and resolution procedures specified.

Your Service Provider will attempt to diagnose and resolve your problem over the telephone or through remote assistance. Your Service Provider may direct you to download and install designated software updates.

Some problems can be resolved with a replacement part that you install yourself (such as keyboard, mouse, speaker, memory, hard disk drive, or port replicator), called a "Customer Replaceable Unit" or "CRU." If so, your Service Provider will ship the CRU to you for you to install.

If your problem cannot be resolved over the telephone or remotely, through your application of software updates, or with a CRU, your Service Provider will arrange for service under the type of warranty service designated for the product under the section titled "**Warranty Information.**"

If your Service Provider determines that it is unable to repair your product, your Service Provider will replace it with one that is at least functionally equivalent.

If your Service Provider determines that it is unable to either repair or replace your product, your sole remedy is to return the product to your place of purchase or to Lenovo and your purchase price will be refunded.

Exchange of a Product or Part

When the warranty service involves the exchange of a product or part, the item your Service Provider replaces becomes Lenovo's property and the replacement becomes yours. All removed items must be genuine and unaltered. The replacement may not be new, but will be in good working order and at least functionally equivalent to the item replaced. The replacement assumes the warranty status of the replaced item.

Before your Service Provider exchanges a product or part, you agree to:

1. remove all features, parts, options, alterations, and attachments not under warranty service;
2. ensure that the product is free of any legal obligations or restrictions that prevent its exchange; and
3. obtain authorization from the owner to have your Service Provider service a product that you do not own.

Your Additional Responsibilities

Where applicable, before service is provided, you agree to:

1. follow the service request procedures that your Service Provider specifies;
2. backup or secure all programs and data contained in the product;
3. provide your Service Provider with all system keys or passwords and sufficient, free, and safe access to your facilities to permit the terms of this warranty to be fulfilled; and
4. ensure that all information about identified or identifiable individuals ("Personal Data") is deleted from the product or that, with respect to any remaining Personal Data you did not delete, you are in compliance with all applicable laws.

Use of Personal Information

If you obtain service under this warranty, Lenovo will store, use, and process information about your warranty issue and your contact information, including name, phone numbers, address, and e-mail address. Lenovo will use this information to perform service under this warranty and to improve our business relationship with you, such as to conduct internal reviews of the efficiency of the warranty service we provide to you. We may contact you to inquire about your satisfaction regarding our warranty service or to notify you about any product recalls or safety issues. In accomplishing these purposes, we may transfer your information to any country where we do business and may provide it to entities acting on our behalf. We also may disclose it where required by law or legal authorities to do so.

What this Warranty Does not Cover

This warranty does not cover the following:

- uninterrupted or error-free operation of a product;
- loss of, or damage to, your data;
- any software programs, whether provided with the product or installed subsequently;
- failure or damage resulting from misuse, accident, modification, unsuitable physical or operating environment, natural disasters, power surges, or improper maintenance by you;
- any third party products, including those that Lenovo may procure and provide with or integrate into the Lenovo product at your request; and
- any technical or other support, such as assistance with "how-to" questions and those regarding product set-up and installation.

This warranty is voided by removal or alteration of identification labels on the product or its parts.

Limitation of Liability

Lenovo is responsible for loss of, or damage to, your product only while it is 1) in your Service Provider's possession or 2) in transit in those cases in which the Service Provider is responsible for the transportation.

Neither Lenovo nor your Service Provider is responsible for any of your data including confidential, proprietary, or personal data contained in a product. You should remove and/or backup all such information from the product prior to its service or return.

Circumstances may arise where, because of a default on Lenovo's part or other liability, you may be entitled to recover damages from Lenovo. In each such instance, regardless of the basis on which you are entitled to claim damages from Lenovo (including fundamental breach, negligence, misrepresentation, or other contract or tort claim), except and to the extent that liability cannot be waived or limited by applicable laws, Lenovo is liable for no more than the amount of actual direct damages suffered by you, up to the amount you paid for the product. This limit does not apply to damages for bodily injury (including death) and damage to real property and tangible personal property for which Lenovo is required by law to be liable.

This limit also applies to Lenovo's suppliers, resellers, and your Service Provider. It is the maximum for which Lenovo, its suppliers, resellers, and your Service Provider are collectively responsible.

UNDER NO CIRCUMSTANCES IS LENOVO, ITS SUPPLIERS, RESELLERS, OR SERVICE PROVIDERS LIABLE FOR ANY OF THE FOLLOWING EVEN IF INFORMED OF THEIR POSSIBILITY: 1) THIRD PARTY CLAIMS AGAINST YOU FOR DAMAGES; 2) LOSS OF, OR DAMAGE TO, YOUR DATA; OR 3) SPECIAL, INCIDENTAL, OR INDIRECT DAMAGES OR FOR ANY ECONOMIC CONSEQUENTIAL DAMAGES, INCLUDING LOST PROFITS, BUSINESS REVENUE, GOODWILL, OR ANTICIPATED SAVINGS. SOME STATES OR JURISDICTIONS DO NOT ALLOW THE EXCLUSION OR LIMITATION OF INCIDENTAL OR CONSEQUENTIAL DAMAGES, SO THE ABOVE LIMITATION OR EXCLUSION MAY NOT APPLY TO YOU.

Dispute Resolution

If you acquired the product in **Cambodia, Indonesia, Philippines, Vietnam or Sri Lanka**, disputes arising out of or in connection with this warranty shall be finally settled by arbitration held in Singapore and this warranty shall be governed, construed and enforced in accordance with the laws of Singapore, without regard to conflict of laws. If you acquired the product in **India**, disputes arising out of or in connection with this warranty shall be finally settled by arbitration held in Bangalore, India. Arbitration in Singapore shall be held in accordance with the Arbitration Rules of Singapore International

Arbitration Center ("SIAC Rules") then in effect. Arbitration in India shall be held in accordance with the laws of India then in effect. The arbitration award shall be final and binding for the parties without appeal and shall be in writing and set forth the findings of fact and the conclusions of law. All arbitration proceedings shall be conducted, including all documents presented in such proceedings, in the English language, and the English language version of this warranty prevails over any other language version in such proceedings.

Other Rights

THIS WARRANTY GIVES YOU SPECIFIC LEGAL RIGHTS AND YOU MAY HAVE OTHER RIGHTS WHICH VARY FROM STATE TO STATE OR JURISDICTION TO JURISDICTION. YOU ALSO MAY HAVE OTHER RIGHTS UNDER APPLICABLE LAW OR WRITTEN AGREEMENT WITH LENOVO. NOTHING IN THIS WARRANTY AFFECTS STATUTORY RIGHTS, INCLUDING RIGHTS OF CONSUMERS UNDER NATIONAL LEGISLATION GOVERNING THE SALE OF CONSUMER GOODS THAT CANNOT BE WAIVED OR LIMITED BY CONTRACT.

European Economic Area (EEA)

Customers in the EEA may contact Lenovo at the following address: Lenovo Warranty & Service Quality Dept., PO Box 19547, Inverkip Road, Greenock, Scotland PA16 9WX. Service under this warranty for Lenovo hardware products purchased in EEA countries may be obtained in any EEA country in which the product has been announced and made available by Lenovo.

This Lenovo Limited Warranty is available in other languages at www.lenovo.com/warranty.

Warranty information

Product or Machine Type	Country or Region of Purchase	Warranty Period	Type of Warranty Service
ThinkPad X200 UltraBase	Worldwide	3 years	1, 4

If required, your Service Provider will provide repair or exchange service depending on the type of warranty service specified for your product and the available service. Scheduling of service will depend upon the time of your call, parts availability, and other factors.

A warranty period of 3 years on parts and 3 years on labor means that Lenovo provides warranty service during the three years of the warranty period (or a longer period as required by law).

Types of Warranty Service

1. Customer Replaceable Unit ("CRU") Service

Under CRU Service, your Service Provider will ship CRUs to you for you to install. Most CRUs are easy to install whereas others may require some technical skill and tools. CRU information and replacement instructions are shipped with your product and are available from Lenovo at any time upon request. You may request that a Service Provider install some CRUs under one of the other types of warranty service designated for your product. Installation of external CRUs (such as mice, keyboards, or monitors) is your responsibility. Lenovo specifies in the materials shipped with a replacement CRU whether the defective CRU must be returned. When return is required, 1) return instructions, a prepaid return shipping label, and a container are included with the replacement CRU, and 2) you may be charged for the replacement CRU if your Service Provider does not receive the defective CRU within thirty (30) days of your receipt of the replacement.

2. On-site Service

Under On-Site Service, your Service Provider will either repair or exchange the product at your location. You must provide a suitable working area to allow disassembly and reassembly of the Lenovo product. For some products, certain repairs may require your Service Provider to send the product to a designated service center.

3. Courier or Depot Service

Under Courier or Depot Service, your product will be repaired or exchanged at a designated service center, with shipping arranged by your Service Provider. You are responsible for disconnecting the product. A shipping container will be provided to you for you to return your product to a designated service center. A courier will pick up your product and deliver it to the designated service center. Following its repair or exchange, the service center will arrange the return delivery of the product to you.

4. Customer Carry-In or Mail-In Service

Under Customer Carry-In or Mail-In Service, your product will be repaired or exchanged at a designated service center, with delivery or shipping arranged by you. You are responsible to deliver or mail, as your Service Provider specifies, (prepaid unless specified otherwise) the product suitably packaged to

a designated location. After the product has been repaired or exchanged, it will be made available for your collection. Failure to collect the product may result in your Service Provider disposing of the product as it sees fit. For Mail-in Service, the product will be returned to you at Lenovo's expense, unless your Service Provider specifies otherwise.

Suplemento de Garantía para México

Este Suplemento se considera parte integrante de la Garantía Limitada de Lenovo y será efectivo única y exclusivamente para los productos distribuidos y comercializados dentro del Territorio de los Estados Unidos Mexicanos. En caso de conflicto, se aplicarán los términos de este Suplemento.

Todos los programas de software precargados en el equipo sólo tendrán una garantía de treinta (30) días por defectos de instalación desde la fecha de compra. Lenovo no es responsable de la información incluida en dichos programas de software y/o cualquier programa de software adicional instalado por Usted o instalado después de la compra del producto.

Los servicios no cubiertos por la garantía se cargarán al usuario final, previa obtención de una autorización.

En el caso de que se precise una reparación cubierta por la garantía, por favor, llame al Centro de soporte al cliente al 001-866-434-2080, donde le dirigirán al Centro de servicio autorizado más cercano. Si no existiese ningún Centro de servicio autorizado en su ciudad, población o en un radio de 70 kilómetros de su ciudad o población, la garantía incluirá cualquier gasto de entrega razonable relacionado con el transporte del producto a su Centro de servicio autorizado más cercano. Por favor, llame al Centro de servicio autorizado más cercano para obtener las aprobaciones necesarias o la información relacionada con el envío del producto y la dirección de envío.

Para obtener una lista de los Centros de servicio autorizados, por favor, visite::

<http://www.lenovo.com/mx/es/servicios>

Manufactured by:
Wistron Infocomm (Kunshan) Co., Ltd.
No. 168, First Avenue,
Kunshan Export Processing Zone
Kunshan, Jiangsu, China
Tel. +86-512-57367888

Marketed by:
Lenovo Mexico S de RL de CV
Av. Santa Fe 505, Piso 15

Col. Cruz Manca
Cuajimalpa, México, DF
CP 05349
Tel: 55-5000-8500

Appendix C. Lenovo Limited Warranty - Customer Notice

Lenovo Limited Warranty - Customer Notice

Please read the Lenovo Limited Warranty (LLW) at <http://www.lenovo.com/warranty>. The LLW is available in 30 languages and can be viewed at this Web site. If you cannot view the LLW, contact your local Lenovo office or reseller to obtain a printed version of the LLW.

Warranty Information applicable to your Machine:

1. Warranty Period: 3 years
2. Type of Warranty Service: Customer Replaceable Unit ("CRU") and Customer Carry-In or Mail-In Service
3. Lenovo Limited Warranty Version: L505-0010-00 09/2006

For warranty service consult the telephone list at www.lenovo.com/support/phone. Phone numbers are subject to change without notice.

Garantie Lenovo - Notification client

Veillez lire la Garantie Lenovo à l'adresse <http://www.lenovo.com/warranty>. Cette garantie est disponible en 30 langues et peut être consultée sur le site Web. Si vous n'arrivez pas à afficher la Garantie, prenez contact avec votre distributeur Lenovo ou avec le bureau Lenovo local afin d'en obtenir une version imprimée.

Informations relatives à la garantie applicable à votre machine :

1. Période de garantie : 3 ans
2. Services prévus par la garantie : Unité remplaçable par l'utilisateur ("CRU") et Service de livraison ou d'expédition par le client
3. Version de la garantie : L505-0010-00 09/2006

Pour obtenir les services prévus par la garantie, consultez la liste de numéros de téléphone à l'adresse www.lenovo.com/support/phone. Les numéros de téléphone sont susceptibles d'être modifiés sans préavis.

Lenovo Limited Warranty - Avviso per il cliente

Si prega di leggere la dichiarazione di garanzia limitata Lenovo (LLW) sul sito <http://www.lenovo.com/warranty>. La dichiarazione di garanzia limitata (LLW) è disponibile in 30 lingue e può essere visualizzata su questo sito Web. Se non è possibile visualizzare la dichiarazione di garanzia limitata (LLW), contattare l'ufficio locale Lenovo o il rivenditore per ottenerne una versione stampata.

Informazioni sulla garanzia applicabili alla macchina:

1. Periodo di garanzia: 3 anni
2. Tipo di servizio di garanzia: Customer Replaceable Unit ("CRU") e Customer Carry-In o servizio Mail-In
3. Versione di dichiarazione di garanzia limitata Lenovo: L505-0010-00 09/2006

Per il servizio di garanzia, consultare l'elenco telefonico all'indirizzo www.lenovo.com/support/phone. I numeri telefonici sono soggetti a modifiche senza preavviso.

Lenovo Erklärung über begrenzte Gewährleistung - Hinweis für Kunden

Lesen Sie die Lenovo Erklärung über begrenzte Gewährleistung unter der Adresse <http://www.lenovo.com/warranty>. Die Erklärung über begrenzte Gewährleistung steht in 30 Sprachen zur Verfügung und kann auf dieser Website angezeigt werden. Wenn Sie die Erklärung nicht anzeigen können, wenden Sie sich an Ihre Lenovo Niederlassung oder Ihren Lenovo Reseller vor Ort, um eine gedruckte Version der Erklärung zu erhalten.

Für Ihre Maschine gelten folgende Gewährleistungsinformationen:

1. Gewährleistungszeitraum: 3 Jahre
2. Art des Gewährleistungsservice: "CRU"-Service (Customer Replaceable Unit, durch den Kunden austauschbare Funktionseinheit) und Anlieferung durch den Kunden oder per Versand
3. Lenovo Erklärung über begrenzte Gewährleistung: L505-0010-00 09/2006

Um Gewährleistungsservice in Anspruch zu nehmen, rufen Sie die entsprechende Telefonnummer aus der Liste unter der folgenden Adresse an: www.lenovo.com/support/phone. Telefonnummern können jederzeit ohne Vorankündigung geändert werden.

Garantía Limitada de Lenovo - Aviso para el cliente

Por favor, lea la Garantía Limitada de Lenovo que encontrará en <http://www.lenovo.com/warranty>. La Garantía Limitada de Lenovo está disponible en 30 idiomas y se puede consultar en este sitio web. Si no puede visualizar la Garantía Limitada de Lenovo, póngase en contacto con su distribuidor u oficina local de Lenovo para obtener una versión impresa de la misma.

Información acerca de la garantía aplicable a su Máquina:

1. Periodo de garantía: 3 años
2. Tipo de servicio de garantía: Unidad reemplazable por el cliente ("CRU") y servicio de transporte por parte del usuario o correo
3. Versión de la Garantía Limitada de Lenovo: L505-0010-00 09/2006

Si desea información sobre el servicio de garantía, consulte la lista de teléfonos en www.lenovo.com/support/phone. Los números de teléfono están sujetos a cambio sin previo aviso.

Garantia Limitada da Lenovo - Aviso ao Cliente

Leia a LLW (Garantia Limitada da Lenovo) no endereço <http://www.lenovo.com/warranty>. A LLW está disponível em 30 idiomas e pode ser visualizada neste Web site. Se você não conseguir visualizar a LLW, entre em contato com seu revendedor ou com um escritório da Lenovo para obter uma versão impressa da LLW.

Informações de Garantia aplicáveis à sua máquina:

1. Período de Garantia: 3 anos
2. Tipo de Serviço de Garantia: Serviço CRU (Unidade Substituível pelo Cliente) e Serviço de Entrega e Correio
3. Versão da Garantia Limitada da Lenovo: L505-0010-00 09/2006

Para obter o serviço de garantia, consulte a lista telefônica em www.lenovo.com/support/phone. Os números de telefone estão sujeitos a alteração sem aviso prévio.

Omezená záruka Lenovo - upozornění pro zákazníky

Přečtěte si prosím Omezenou záruku Lenovo (Lenovo Limited Warranty, LLW) na webové stránce <http://www.lenovo.com/warranty>. Text Omezená záruka (LLW) je k dispozici v 30 jazycích můžete si jej prohlédnout na této webové stránce. Pokud si text LLW nemůžete prohlédnout, vyžádejte si vytištěnou verzi od místního zastoupení Lenovo nebo od prodejce.

Informace o záruce platné pro tento stroj:

1. Záruční doba: 3 roky.
2. Typ záručního servisu: 'CRU' (Customer Replaceable Unit, díly vyměnitelné zákazníkem) a servis typu Customer Carry-In nebo Mail-In.
3. Omezená záruka Lenovo verze: L505-0010-00 09/2006.

Informace o záručním servisu získáte na telefonních číslech uvedených na webové stránce www.lenovo.com/support/phone. Telefonní čísla se mohou měnit bez předchozího upozornění.

Vyhľadzenie pre zákazníkov o obmedzenej záruke Lenovo

Přečítajte si vyhlásenie o obmedzenej záruke Lenovo (LLW) na webovej stránke <http://www.lenovo.com/warranty>. LLW je k dispozícii v 30 jazykoch a môžete si ho pozrieť na tejto webovej stránke. Ak si nemôžete zobrazit LLW, kontaktujte pobočku spoločnosti Lenovo alebo jej predajcu a požiadajte o tlačenu verziu LLW.

Záručné informácie platné pre váš počítač:

1. Záručná lehota: 3 roky
2. Typ záručního servisu: Servis CRU (zákazníkom vymeniteľné dielce) a služba doručenia alebo poslania zákazníkom
3. Verzia vyhlásenia Lenovo o obmedzenej záruke: L505-0010-00 09/2006

Záručný servis je k dispozícii na telefonných číslach uvedených v zozname na webovej stránke www.lenovo.com/support/phone. Telefónne čísla môžu byť zmenené bez predchádzajúceho upozornenia.

Lenovo Uluslararası Garanti-Müşteri Bildirimi

Lütfen <http://www.lenovo.com/warranty> adresindeki Lenovo Uluslararası Garanti (LLW) belgesini okuyun. LLW belgesi 30 dile çevrilmistir ve bu adreste görüntülenebilir. LLW belgesini görüntüleyemezseniz, yerel Lenovo ofisine ya da yetkili satıcısına başvurarak LLW belgesinin yazılı bir kopyasını edinin.

Makineniz için geçerli olan garanti bilgileri:

1. Garanti Süresi: 3 yıl
2. Garanti Hizmetinin Tipi: Müşteri Tarafından Teslim ya da Postayla Teslim Hizmeti
3. Lenovo Uluslararası Garanti Sürümü: 505-0010-00 09/2006

Garanti hizmeti için www.lenovo.com/support/phone adresindeki telefon listesine bakın. Telefon numaraları bildirilmeden değiştirilebilir.

Lenovo 客户有限保证声明

请阅读位于 <http://www.lenovo.com/warranty> 的 Lenovo 有限保证声明 (LLW)。LLW 具有 30 种语言版本，可通过此 Web 站点查看。如果不能查看 LLW，请联系您本地的 Lenovo 营业处或经销商来获得印刷版本的 LLW。

适用于您机器的保修信息：

1. 保修期：3 年
2. 保修服务类型：客户可更换部件 (CRU) 和客户送修或邮寄服务
3. Lenovo 有限保证声明版本：L505-0010-00 09/2006

有关保修服务的信息，请查询电话列表，地址为：www.lenovo.com/support/phone。电话号码如有更改，恕不另行通知。

Lenovo 有限保證 - 客戶注意事項

請閱讀 <http://www.lenovo.com/warranty> 網站上的有限保證 (LLW)。LLW 共有 30 個語言版本，您可從這個網站取得。如果您無法檢閱 LLW，請聯絡當地的 Lenovo 辦公室或轉銷商以取得印刷版的 LLW。

您機器的保固資訊如下：

1. 保固期限：3 年
2. 保固服務類型：客戶可自行更換組件 ("CRU") 及客戶親自或郵寄送修服務
3. Lenovo 有限保證版本：L505-0010-00 09/2006

您可以從 www.lenovo.com/support/phone 網站取得保固維修電話清單。電話號碼若有變更恕不另行通知。

保証の内容と制限 - お客様へのお知らせ

<http://www.lenovo.com/warranty> にある「Lenovo 保証の内容と制限」をお読みください。

「Lenovo 保証の内容と制限」は 30 か国語で提供され、この Web サイトでご覧になれます。

「Lenovo 保証の内容と制限」をご覧になれない場合、お近くの Lenovo 事業所または販売店にお問い合わせいただければ、印刷された「Lenovo 保証の内容と制限」を入手いただけます。

ご使用のマシンの保証情報は次のとおりです：

1. 保証期間：3 年
2. 保証サービスの種類：お客様での取替え可能部品 (CRU: Customer Replaceable Unit) および持ち込みまたは郵送サービス
3. 「Lenovo 保証の内容と制限」のバージョン：L505-0010-00 09/2006

保証サービスについては、www.lenovo.com/support/phone のリストにある電話番号にお問い合わせください。電話番号は、予告なしに変更される場合があります。

بيان Lenovo للضمانات المحدودة - اخطار العميل

برجاء قراءة بيان Lenovo للضمانات المحدودة (LLW) <http://www.lenovo.com/warranty> على موقع الانترنت. بيان Lenovo للضمانات المحدودة LLW متاح في ثلاثين لغة ويمكن مشاهدته على موقع الانترنت هذا. اذا لم يمكنك مشاهدة بيان Lenovo للضمانات المحدودة LLW، اتصل بالوكيل المعتمد لشركة Lenovo للحصول على النسخة المطبوعة من بيان Lenovo للضمانات المحدودة.

معلومات الضمان التي سيتم تطبيقها على الآلة الخاصة بك:

1. فترة الضمان : 3 سنوات
2. نوع خدمة الضمان : الوحدة التي يمكن استبدالها بواسطة العميل ("CRU") و Customer Replaceable Unit (Customer Replaceable Unit) و الخدمة في حالة قيام العميل بحمل الآلة لمكان أداء الخدمة أو إرسالها بواسطة البريد.

3. نسخة بيان Lenovo للضمانات المحدودة: L505-0010-00 09/2006

بالنسبة لخدمة الضمان، ارجع الى كتشف التليفونات بالموقع www.lenovo.com/support/phone. أرقام التليفونات عرضة للتغيير بدون أي اخطار.

Lenovo Ограничена гаранция - Забележка за клиента

Моля, прочетете Lenovo Ограничената гаранция (LLW) на <http://www.lenovo.com/warranty>. LLW е достъпна на 30 езика, и може да бъде прегледана на този Web сайт. Ако не можете да прегледате LLW, свържете се с местния офис или представител на Lenovo, за да получите отпечатана версия на LLW.

Гаранционна информация, приложима за вашата Машина:

1. Гаранционен период: 3 години
2. Тип на гаранционно обслужване: Подменяеми от клиента части ("CRU") и Обслужване с доставка от клиента или по пощата
3. Lenovo ограничена гаранция Версия: L505-0010-00 09/2006

За гаранционно обслужване направете справка в списъка с телефони на www.lenovo.com/support/phone. Телефонните номера подлежат на промяна без предизвестие.

Lenovo ograničeno jamstvo - Napomena za korisnika

Molimo pročítajte Lenovo ograničeno jamstvo (LLW) na <http://www.lenovo.com/warranty>. LLW je dostupno na 30 jezika i može se vidjeti na ovoj Web stranici. Ako ne možete vidjeti LLW, kontaktirajte lokalni Lenovo ured ili prodavača i zatražite tiskanu verziju LLW-a.

Informacije o jamstvu koje se odnose na vaš Stroj:

1. Period jamstva: 3 godine
2. Tip jamstvenog servisa: Korisnički zamjenjive jedinice ("CRU") i servis s korisničkom ili poštanskom dostavom
3. Verzija Lenovo ograničenog jamstva: L505-0010-00 09/2006

Radi jamstvenog servisa pogledajte popis telefona na www.lenovo.com/support/phone. Telefonski brojevi se mogu promijeniti bez prethodne obavijesti.

Bemærkning til kunden vedrørende Lenovo Begrænset garanti

Læs Lenovo Begrænset garanti (LLW) på <http://www.lenovo.com/warranty>. Lenovo Begrænset garanti er oversat til 30 sprog. Du kan læse den på dette websted. Kontakt Lenovo eller forhandleren for at få en trykt udgave, hvis du ikke kan få vist Lenovo Begrænset garanti.

Garantioplysninger for maskinen:

1. Garantiperiode: 3 år
2. Servicetype i garantiperioden: CRU-service (Customer Replaceable Unit) og carry-in-service eller indsendelsesservice
3. Version af Lenovo Begrænset garanti: L505-0010-00 09/2006

Se telefonlisten på adressen www.lenovo.com/support/phone vedrørende garantiservice. Telefonnumre kan ændres uden forudgående varsel.

Lenovon rajoitettu takuu - ilmoitus asiakkaalle

Lue Lenovon rajoitetun takuun ehdot (LLW) osoitteessa <http://www.lenovo.com/warranty>. LLW-asiakirja on saatavana 30 eri kielellä. Jos LLW-asiakirjan tarkastelu ei onnistu, ota yhteys Lenovon paikalliseen toimistoon tai jälleenmyyjään saadaksesi tulostetun LLW-asiakirjan.

Konetta koskevat takuutiedot:

1. Takuuaika: 3 vuotta
2. Takuupalvelun laji: Asiakkaan vaihdettavissa olevia osia (CRU) koskeva palvelu ja asiakkaan toteuttama kuljetus tai postikuljetus
3. Rajoitetun takuun ehtojen versio: L505-0010-00 09/2006

Saat takuupalveluja soittamalla sopivaan Web-sivustossa www.lenovo.com/support/phone olevan luettelon puhelinnumeroon. Puhelinnumerot voivat muuttua ilman ennakoilmoitusta.

Lenovo Ограничена гаранция - Забележка за клиента

Моля, прочетете Lenovo Ограничената гаранция (LLW) на <http://www.lenovo.com/warranty>. LLW е достъпна на 30 езика, и може да бъде прегледана на този Web сайт. Ако не можете да прегледате LLW, свържете се с местния офис или представителя на Lenovo, за да получите отпечатана версия на LLW.

Гаранционна информация, приложима за вашата Машина:

1. Гаранционен период: 3 години
2. Тип на гаранционно обслужване: Подменяеми от клиента части ("CRU") и Обслужване с доставка от клиента или по пощата
3. Lenovo ограничена гаранция Версия: L505-0010-00 09/2006

За гаранционно обслужване направете справка в списъка с телефони на www.lenovo.com/support/phone. Телефонните номера подлежат на промяна без предизвестие.

Аחריות מוגבלת של Lenovo - הודעה ללקוחות

אנא קראו את האחריות המוגבלת של Lenovo (LLW), הזמינה ב-30 שפות בכתובת <http://www.lenovo.com/warranty>. אם אינכם מצליחים לראות את האחריות המוגבלת, פנו לנציגות Lenovo המקומית או לספק, כדי לקבל גרסה מודפסת של האחריות המוגבלת.

מידע אחריות עבור המכונה שלכם:

1. תקופת האחריות: שלוש שנים
2. סוג שירות אחריות: יחידות להחלפה עצמית ("CRU") ושירות במסירה או במשלוח דואר על-ידי הלקוח
3. גרסת אחריות מוגבלת של Lenovo: L505-0010-00 09/2006

מספרי הטלפון למידע אודות שירות האחריות זמינים בכתובת www.lenovo.com/warranty/phone. מספרי הטלפון עשויים להשתנות ללא הודעה מראש.

Lenovo korlátozott jótállási nyilatkozat - Vásárlói közlemény

Kérjük olvassa el a Lenovo korlátozott jótállási nyilatkozatot (LLW) a <http://www.lenovo.com/warranty> címen. Az LLW 30 nyelven áll rendelkezésre, és megtekintheti őket a megadott címen. Ha nem tudja megtekinteni, akkor a helyi Lenovo irodától vagy viszonteladótól kérheti az LLW nyomtatott példányát.

A gépre vonatkozó jótállási feltételek:

1. Jótállási időtartam: 3 év
2. Garanciális szerviz típusa: Felhasználó által cserélhető egység ("CRU") és beszállításos vagy postázásos szerviz
3. Lenovo korlátozott jótállási nyilatkozat száma: L505-0010-00 09/2006

A garanciális szervizek telefonszámainak listáját a www.lenovo.com/support/phone alatt találja meg. A telefonszámok bejelentés nélkül megváltozhatnak.

Lenovo 보증 제한 - 고객 주의사항

웹 사이트 <http://www.lenovo.com/warranty>에 있는 Lenovo 보증 제한(LLW)을 읽어 보십시오. LLW는 30개 언어로 지원되며 웹 사이트에서 볼 수 있습니다. LLW를 볼 수 없는 경우 해당 지역 Lenovo 사무실 또는 판매자에게 문의하여 LLW의 인쇄물을 문의하십시오.

사용자 시스템에 적용되는 보증 정보:

1. 보증 기간: 3년
2. 보증 서비스 종류: 고객 교체 가능 유닛(CRU) 및 고객 직접 운송 또는 우편 서비스
3. Lenovo 보증 제한 버전: L505-0010-00 09/2006

보증 서비스 문의는 웹 사이트 www.lenovo.com/support/phone에서 전화번호 목록을 참고하십시오. 전화번호는 사전 통고없이 변경될 수 있습니다.

Lenovo Beperkte Garantie - Kennisgeving aan klant

Lees de Lenovo Beperkte Garantie (Lenovo Limited Warranty, LLW) op <http://www.lenovo.com/warranty>. De Lenovo Beperkte Garantie is beschikbaar in 30 talen en kan op deze website worden gelezen. Als u de LLW niet kunt vinden, neemt u contact op met uw Lenovo-wederverkoper voor een gedrukte versie van de LLW.

Garantie-informatie die van toepassing is op uw machine:

1. Garantieperiode: 3 jaar
2. Type Garantieservice: Customer Replaceable Unit ("CRU") en Customer Carry-In of Mail-In Service
3. Versie van Lenovo Beperkte Garantie: L505-0010-00 09/2006

Voor garantieservice raadpleegt u de telefoonlijst op www.lenovo.com/support/phone. Telefoonnummers kunnen zonder aankondiging worden gewijzigd.

Lenovos garantibetingelser - Merknad til kunden

Les Lenovos garantibetingelser (LLW) på <http://www.lenovo.com/warranty>. Garantibetingelsene er tilgjengelige på 30 språk og kan vises på dette nettstedet. Hvis du ikke får frem garantibetingelsene, kan du kontakte ditt lokale Lenovo-kontor eller forhandleren og få en trykt utgave av betingelsene.

Garantibetingelser som gjelder for din maskin:

1. Garantiperiode: 3 år
2. Type garantiservice: Customer Replaceable Unit ("CRU") og service med innlevering eller innsending
3. Versjon av Lenovos garantibetingelser: L505-0010-00 09/2006

For garantiservice, se telefonlisten på www.lenovo.com/support/phone. Telefonnumrene kan bli endret uten forvarsel.

Ograniczona gwarancja Lenovo - informacja dla klienta

Prosimy o przeczytanie ograniczonej gwarancji Lenovo (Lenovo Limited Warranty - LLW), pod adresem <http://www.lenovo.com/warranty>. LLW dostępna jest w 30 językach i można ją znaleźć w tym serwisie WWW. Jeśli nie można wyświetlić LLW, należy skontaktować się z miejscowym biurem Lenovo lub z reselerem, w celu uzyskania wersji drukowanej.

Informacje gwarancyjne mające zastosowanie do Maszyny Klienta:

1. Okres gwarancyjny: 3 lata
2. Typ serwisu gwarancyjnego: serwis polegający na dostarczeniu Części Wymienianych przez Klienta (Customer Replaceable Unit - CRU) lub serwis z wysyłką lub transportem przez Klienta.
3. Wersja ograniczonej gwarancji Lenovo: L505-0010-00 09/2006

Lista telefonów do osób odpowiedzialnych za serwis gwarancyjny znajduje się w serwisie www.lenovo.com/support/phone. Numery telefonów mogą ulec zmianie bez powiadomienia.

Garantia Limitada da Lenovo - Informações ao Cliente

Leia a Garantia Limitada da Lenovo em <http://www.lenovo.com/warranty>. A Garantia Limitada da Lenovo encontra-se disponível em 30 línguas, podendo ser visualizada neste sítio da Web. Caso não consiga visualizar a Garantia Limitada da Lenovo, contacte o escritório local da Lenovo ou o seu revendedor para obter uma versão em formato papel da mesma.

Informações sobre garantia aplicáveis à Máquina:

1. Período de Garantia: 3 anos
2. Tipo de Serviço de Garantia: Unidade Substituível pelo Cliente ("CRU") e Serviço de Transporte Físico ou Envio pelo Correio da Responsabilidade do Cliente
3. Versão da Garantia Limitada da Lenovo: L505-0010-00 09/2006

Para obter serviço de garantia consulte a lista de números de telefone em www.lenovo.com/support/phone. Os números de telefone indicados estão sujeitos a alteração sem aviso prévio.

Garantia limitată Lenovo - Anunț pentru client

Vă rugăm să citiți Garanția limitată Lenovo la <http://www.lenovo.com/warranty>. Garanția limitată Lenovo este disponibilă în 30 de limbi și poate fi vizualizată pe acest sit Web. Dacă nu puteți vizualiza Garanția limitată Lenovo, contactați reprezentanța locală Lenovo sau reseller-ul pentru a obține o versiune tipărită.

Informații privind garanția aplicabile pentru Mașina dumneavoastră:

1. Perioada de garanție: 3 ani
2. Tipul de service în garanție: Customer Replaceable Unit ('CRU') și Customer Carry-In sau Mail-In Service
3. Versiunea de Garanție limitată Lenovo: L505-0010-00 09/2006

Pentru service în garanție, consultați lista cu numere de telefon la www.lenovo.com/support/phone. Numerele de telefon pot fi schimbate fără notificare.

Заявление об ограниченной гарантии Lenovo - Замечания для заказчиков

Ознакомьтесь с Заявлением об ограниченной гарантии Lenovo на Web-сайте <http://www.lenovo.com/warranty>. Заявление переведено на 30 языков. Если вы не можете просмотреть Заявление, то запросите в местном представительстве Lenovo или у торгового представителя отпечатанную версию Заявления об ограниченной гарантии.

Информация о гарантии для вашего компьютера:

1. Гарантийный срок: 3 года.
2. Тип гарантийного обслуживания: Обслуживание при отказе узлов, подлежащих замене силами заказчика (CRU), и обслуживание при доставке или пересылке по почте силами заказчика.
3. Версия Заявления об ограниченной гарантии Lenovo: L505-0010-00 09/2006

За гарантийным обслуживанием обращайтесь по телефонам, приведенным на Web-сайте www.lenovo.com/support/phone. Номера телефонов могут измениться без предварительного уведомления.

Obvestilo strankam o omejeni garanciji Lenovo

Prosimo, da si preberete izjavo o omejeni garanciji Lenovo (LLW) na spletni strani <http://www.lenovo.com/warranty>. LLW je na voljo v 30 jezikih in si ga lahko ogledate na tej spletni strani. Če si LLW ne morete ogledati, se obrnite na lokalno podružnico ali tržnega predstavnika podjetja Lenovo, kjer boste dobili natisnjeno različico LLW.

Garancijski pogoji, ki veljajo za vaš računalnik:

1. Garancijsko obdobje: 3 leta
2. Tip garancijskega servisa: servis za enote, ki jih zamenja stranka ("CRU") in servis z dostavo stranke ali servis s pošto dostavo
3. Različica omejene garancije Lenovo: L505-0010-00 09/2006

Za garancijski servis si oglejte seznam telefonskih števil na spletni strani www.lenovo.com/support/phone. Pridržujemo si pravico do spremembe telefonskih števil brez predhodnega obvestila.

Lenovogaranti - Information till kunden

Läs Garantivillkoren (Lenovo Limited Warranty, LLW) på <http://www.lenovo.com/warranty>. Garantivillkoren finns på 30 språk och du kan läsa dokumentet på den här webbplatsen. Om du inte kan komma åt dokumentet med garantivillkoren kontaktar du ditt lokala Lenovokontor eller en återförsäljare så kan du få en tryckt version av garantivillkoren.

Garantiinformation som gäller den här Maskinen:

1. Garantitid: 3 år
2. Typ av garantiservice: Kunden byter ut delar ("CRU" - Customer Replaceable Unit) och Kunden lämnar in (Customer Carry-In) eller skickar in (Mail-In) Maskinen på service
3. Begränsad garanti, version: L505-0010-00 09/2006

Telefonnummer till ställen där du kan få garantiservice finns på www.lenovo.com/support/phone. Telefonnummer kan komma att ändras utan att du meddelas om detta.

Appendix D. Notices

Lenovo may not offer the products, services, or features discussed in this document in all countries. Consult your local Lenovo representative for information on the products and services currently available in your area. Any reference to a Lenovo product, program, or service is not intended to state or imply that only that Lenovo product, program, or service may be used. Any functionally equivalent product, program, or service that does not infringe any Lenovo intellectual property right may be used instead. However, it is the user's responsibility to evaluate and verify the operation of any other product, program, or service.

Lenovo may have patents or pending patent applications covering subject matter described in this document. The furnishing of this document does not give you any license to these patents. You can send license inquiries, in writing, to:

*Lenovo (United States), Inc.
1009 Think Place – Building One
Morrisville, NC 27560
U.S.A.
Attention: Lenovo Director of Licensing*

LENOVO GROUP LTD. PROVIDES THIS PUBLICATION "AS IS" WITHOUT WARRANTY OF ANY KIND, EITHER EXPRESS OR IMPLIED, INCLUDING, BUT NOT LIMITED TO, THE IMPLIED WARRANTIES OF NON-INFRINGEMENT, MERCHANTABILITY OR FITNESS FOR A PARTICULAR PURPOSE. Some jurisdictions do not allow disclaimer of express or implied warranties in certain transactions, therefore, this statement may not apply to you.

This information could include technical inaccuracies or typographical errors. Changes are periodically made to the information herein; these changes will be incorporated in new editions of the publication. Lenovo may make improvements and/or changes in the product(s) and/or the program(s) described in this publication at any time without notice.

The products described in this document are not intended for use in implantation or other life support applications where malfunction may result in injury or death to persons. The information contained in this document does not affect or change Lenovo product specifications or warranties. Nothing in this document shall operate as an express or implied license or indemnity under the intellectual property rights of Lenovo or third parties. All

information contained in this document was obtained in specific environments and is presented as an illustration. The result obtained in other operating environments may vary.

Lenovo may use or distribute any of the information you supply in any way it believes appropriate without incurring any obligation to you.

Any references in this publication to non-Lenovo Web sites are provided for convenience only and do not in any manner serve as an endorsement of those Web sites. The materials at those Web sites are not part of the materials for this Lenovo product, and use of those Web sites is at your own risk.

Any performance data contained herein was determined in a controlled environment. Therefore, the result obtained in other operating environments may vary significantly. Some measurements may have been made on development-level systems and there is no guarantee that these measurements will be the same on generally available systems. Furthermore, some measurements may have been estimated through extrapolation. Actual results may vary. Users of this document should verify the applicable data for their specific environment.

Recycling information

Lenovo encourages owners of information technology (IT) equipment to responsibly recycle their equipment when it is no longer needed. Lenovo offers a variety of programs and services to assist equipment owners in recycling their IT products. Information on product recycling offerings can be found on Lenovo's Internet site at <http://www.pc.ibm.com/ww/lenovo/about/environment/>.

環境配慮に関して

本機器またはモニターの回収サイクルについて



企業のお客様が、本機器が使用済みとなり廃棄される場合は、資源有効利用促進法の規定により、産業廃棄物として、地域を管轄する県知事あるいは、政令市長の許可を持った産業廃棄物処理業者に適正処理を委託する必要があります。また、弊社では資源有効利用促進法に基づき使用済みパソコンの回収および再利用・再資源化を行う「PC回収サイクル・サービス」を提供しています。詳細は、<http://www.ibm.com/jp/pc/service/recycle/pcrecycle/> をご参照ください。

また、同法により、家庭で使用済みとなったパソコンのメーカー等による回収再資源化が2003年10月1日よりスタートしました。詳細は、<http://www.ibm.com/jp/pc/service/recycle/pcrecycle/> をご参照ください。

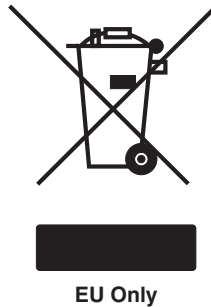
重金属を含む内部部品の廃棄処理について

本機器のプリント基板等には微量の重金属（鉛など）が使用されています。使用後は適切な処理を行うため、上記「本機器またはモニターの回収サイクルについて」に従って廃棄してください。

Lenovo product substance disclosure table

Lenovo 电脑选件	有毒有害物质或元素						China ROHS 标识
	铅 (Pb)	汞 (Hg)	镉 (Cd)	六价铬 (Cr(VI))	多溴联苯 (PBB)	多溴二苯醚 (PBDE)	
扩展坞	X	O	O	O	O	O	
<p>O: 表示该有毒有害物质在该部件所有均质材料中的含量均在 SJ/T 11363-2006 标准规定的限量要求以下。 X: 表示该有毒有害物质至少在该部件的某一均质材料中的含量超出 SJ/T 11363-2006 标准规定的限量要求。 对于销往欧盟的产品, 标有“X”的项目均符合欧盟指令 2002/95/EC 豁免条款。</p> <p> 在中华人民共和国境内销售的电子信息产品上将印有“环保使用期”(EPuP)符号。圆圈中的数字代表产品的正常环保使用年限。</p>							

Important information for the European Directive 2002/96/EC



The WEEE mark applies only to countries within the European Union (EU) and Norway. Appliances are labeled in accordance with European Directive 2002/96/EC concerning waste electrical and electronic equipment (WEEE). The Directive determines the framework for the return and recycling of used appliances as applicable throughout the European Union. This label is applied to various products to indicate that the product is not to be thrown away, but rather reclaimed upon end of life per this Directive. Users of electrical and electronic equipment (EEE) with the WEEE marking per Annex IV of the WEEE Directive must not dispose of end of life EEE as unsorted municipal waste, but use the collection framework available to them for the return, recycle, recovery of WEEE and minimize any potential effects of EEE on the environment and human health due to the presence of hazardous substances. For additional WEEE information go to: <http://www.lenovo.com/lenovo/environment>.

Ce marquage s'applique uniquement aux pays de l'Union européenne (EU) et à la Norvège. Les appareils sont marqués conformément à la Directive 2002/96/CE du Conseil Européen relative aux déchets d'équipements

électriques et électroniques (DEEE). Cette directive, applicable à l'ensemble des pays de l'Union européenne, concerne la collecte et le recyclage des appareils usagés. Ce marquage est apposé sur différents produits pour indiquer que ces derniers ne doivent pas être jetés, mais récupérés en fin de vie, conformément à cette directive. Les utilisateurs d'équipements électriques et électroniques portant le marquage DEEE, conformément à l'Annexe IV de la Directive DEEE, ne doivent pas mettre au rebut ces équipements comme des déchets municipaux non triés, mais ils doivent utiliser la structure de collecte mise à disposition des clients pour le retour, le recyclage et la récupération des déchets d'équipements électriques et électroniques, afin de réduire tout effet potentiel des équipements électriques et électroniques sur l'environnement et la santé en raison de la présence possible de substances dangereuses dans ces équipements. Pour plus d'informations sur les équipements électriques et électroniques, consultez le site <http://www.lenovo.com/lenovo/environment>.

Die WEEE-Kennzeichnung gilt nur in Ländern der Europäischen Union und in Norwegen. Geräte werden gemäß der Richtlinie 2002/96/EC der Europäischen Union über Elektro- und Elektronikaltgeräte (WEEE) gekennzeichnet. Die Richtlinie regelt die Rückgabe und Wiederverwertung von Altgeräten innerhalb der Europäischen Union. Mit dieser Kennzeichnung versehene Altgeräte dürfen gemäß dieser Richtlinie nicht weggeworfen werden, sondern müssen zurückgegeben werden. Anwender von Elektro- und Elektronikgeräten mit der WEEE-Kennzeichnung dürfen diese gemäß Annex IV der WEEE-Richtlinie nach ihrem Gebrauch nicht als allgemeinen Hausmüll entsorgen. Stattdessen müssen diese Geräte im verfügbaren Sammelsystem zurückgegeben werden und damit einem Recycling- oder Wiederherstellungsprozess zugeführt werden, bei dem mögliche Auswirkungen der Geräte auf die Umwelt und den menschlichen Organismus aufgrund gefährlicher Substanzen minimiert werden. Weitere Informationen zur Entsorgung von Elektro- und Elektronikaltgeräten finden Sie unter der Adresse: <http://www.lenovo.com/lenovo/environment>.

La marca WEEE se aplica sólo a los países pertenecientes a la Unión Europea (UE) y a Noruega. Los aparatos se etiquetan conforme a la Directiva Europea 2002/96/EC relativa a los residuos de equipos eléctricos y electrónicos (WEEE). La directiva determina el marco para devolver y reciclar los aparatos usados según sea aplicable en toda la Unión Europea. Esta etiqueta se aplica a varios productos para indicar que el producto no se va a desechar, sino que va ser reclamado por esta Directiva, una vez termine su ciclo de vida. Los usuarios de los equipos eléctricos y electrónicos (EEE) con la marca WEEE por el Anexo IV de la Directiva WEEE no deben tratar los EEE como desperdicios municipales no clasificados, una vez terminado su ciclo de vida, sino que deben utilizar el marco de recogida disponible para devolver, reciclar y recuperar los WEEE y minimizar los posibles efectos de los EEE en el medio ambiente y en la salud debidos a la presencia de sustancias peligrosas. Para obtener información adicional acerca de WEEE consulte el sitio: <http://www.lenovo.com/lenovo/environment>.

Le informazioni su WEEE si applicano solo ai paesi dell'Unione Europea (UE) e alla Norvegia. Gli apparecchi vengono etichettati in base alla Direttiva europea 2002/96/EC relativa a WEEE (waste electrical and electronic equipment). La direttiva stabilisce la struttura per la restituzione ed il riciclaggio degli apparecchi utilizzati applicabile in tutte l'Unione Europea. Questa etichetta si applica a diversi prodotti al fine di indicare che tali prodotti non devono essere eliminati ma riciclati al termine del loro ciclo di utilizzo. Gli utenti EEE (electrical and electronic equipment) con contrassegno WEEE per Annex IV della direttiva WEEE non devono smaltire l'EEE come rifiuto municipale non ordinato, ma utilizzare la struttura di raccolta disponibile per la restituzione, il riciclo ed il recupero di WEEE e ridurre i potenziali effetti dell'EEE sull'ambiente e sulle persone a causa della presenza di sostanze nocive. Per ulteriori informazioni su WEEE, andare all'indirizzo: <http://www.lenovo.com/lenovo/environment>.

A marca REEE (Resíduos de Equipamentos Eléctricos e Electrónicos) aplica-se apenas aos Estados-Membros da União Europeia (UE) e à Noruega. Os aparelhos eléctricos deverão ser identificados em conformidade com a Directiva Europeia 2002/96/CE relativa a REEE (Resíduos de Equipamentos Eléctricos e Electrónicos). A Directiva determina o enquadramento normativo relativamente à devolução e reciclagem de aparelhos eléctricos utilizados, conforme aplicável no espaço da União Europeia. Esta etiqueta deverá ser aposta em diversos produtos para indicar que os mesmos não poderão ser deitados fora mas sim recuperados no final da respectiva vida útil, de acordo com a referida Directiva. Os utilizadores de equipamentos eléctricos e electrónicos (EEE) com a marca REEE em conformidade com o Anexo IV da Directiva REEE não poderão deitar fora os EEE no final da respectiva vida útil como lixo municipal não separado, devendo antes utilizar a estrutura de recolha que lhes tenha sido disponibilizada para efeitos de devolução, reciclagem e recuperação de REEE, por forma a minimizar potenciais efeitos dos EEE sobre o ambiente e saúde pública resultantes da presença de substâncias perigosas. Para mais informações sobre REEE (Resíduos de Equipamento Eléctrico e Electrónico), visite: <http://www.lenovo.com/lenovo/environment>.

Het WEEE-merkteken geldt alleen voor landen binnen de Europese Unie (EU) en Noorwegen. Apparaten worden van een merkteken voorzien overeenkomstig Europese Richtlijn 2002/96/EC inzake afgedankte elektrische en elektronische apparatuur (waste electrical and electronic equipment, WEEE). Deze richtlijn bepaalt het raamwerk voor het retourneren en recyclen van gebruikte apparatuur, zoals van toepassing binnen de Europese Unie. Dit merkteken wordt aangebracht op diverse producten om aan te geven dat het product in kwestie niet dient te worden weggegooid, maar dat het aan het eind van de levenscyclus krachtens deze Richtlijn dient te worden gereturneerd. Gebruikers van elektrische en elektronische apparaten (EEE) welke zijn voorzien van het WEEE-merkteken zijn gehouden aan Annex IV van de WEEE Richtlijn en mogen gebruikte EEE niet weggoeien als ongesorteerd

afval, maar dienen gebruik te maken van het inzamelproces voor het teruggeven, recyclen en terugwinnen van WEEE dat voor hen beschikbaar is, en dienen de mogelijke effecten die EEE ten gevolge van de aanwezigheid van schadelijke stoffen kunnen hebben op het milieu en de volksgezondheid, tot een minimum te beperken. Voor meer informatie over WEEE gaat u naar: <http://www.lenovo.com/lenovo/environment>.

WEEE-mærkningen gælder kun for lande i EU samt Norge. Udstyr er mærket i henhold til Direktiv 2002/96/EC om affald af elektrisk og elektronisk udstyr (WEEE). Direktivet regulerer rammerne for returnering og genbrug af brugt udstyr i EU. Dette mærke sættes på forskellige produkter for at angive, at produktet ifølge direktivet ikke må smides bort, men skal genbruges eller genindvindes. Brugere af elektrisk og elektronisk udstyr (EEE), som er mærket i henhold til Bilag IV i WEEE-direktivet, må ikke bortskaffe EEE sammen med usorteret husholdningsaffald, men benytte de returnerings-og indsamlingsordninger, der står til rådighed for dem med henblik på genbrug, genvinding og andre former for nyttiggørelse samt minimering af de potentielle virkninger for miljøet og menneskers sundhed af tilstedeværelsen af farlige stoffer. Der er flere oplysninger om WEEE på adressen <http://www.lenovo.com/lenovo/environment>.

Sähkö- ja elektroniikkalaiteromu (Waste electrical and electronic equipment, WEEE)-merkintä koskee vain Euroopan unionin (EU) jäsenmaita ja Norjaa. Sähkö- ja elektroniikkalaitteet merkitään Euroopan parlamentin ja neuvoston direktiivin 2002/96/EY mukaisesti. Kyseinen direktiivi määrittää Euroopan Unionin alueella käytössä olevat palautus- ja kierrätyskäytännöt. WEEE-merkintä laitteessa osoittaa, että direktiivin ohjeiden mukaan tuotetta ei tulisi hävittää sen elinkaaren päässä, vaan sen sijaan se on kierrätettävä. Käyttäjien, joiden sähkö- ja elektroniikkalaitteissa on tämä sähkö- ja elektroniikkalaiteromun direktiivin liitteen IV mukainen merkintä, tulee kierrättää kyseiset laitteet käytettävissä olevien resurssien mukaan, varmistaen sen, että niistä tai niissä käytetyistä materiaaleista ei aiheudu haittaa ympäristölle tai ihmisten terveydelle. Sähkö- ja elektroniikkalaitteita ei saa hävittää sekajätteen mukana. Lisätietoa sähkö- ja elektroniikkalaiteromun kierrättämisestä on WWW-sivustossa <http://www.lenovo.com/lenovo/environment>.

WEEE-merket gjelder bare for land i Den europeiske union (EU) og Norge. Utstyr merkes i henhold til EU-direktiv 2002/96/EF om avfall fra elektrisk og elektronisk utstyr (WEEE). Direktivet fastsetter rammene for retur og resirkulering av brukt utstyr innenfor EU. Dette merket benyttes på forskjellige produkter for å angi at produktet ikke må kastes, men må behandles i henhold til dette direktivet ved slutten av produktets levetid. Brukere av elektrisk og elektronisk utstyr (EEE) som er merket med WEEE-merket ifølge vedlegg IV i WEEE-direktivet, må ikke kaste utstyret som usortert husholdningsavfall, men må bruke de tilgjengelige innsamlingsystemene for retur, resirkulering og gjenvinning av kassert elektrisk og elektronisk utstyr for å redusere en

eventuell skadelig virkning av elektrisk og elektronisk utstyr på miljø og helse, som skyldes skadelige stoffer. Du finner mer informasjon om WEEE på denne adressen: <http://www.lenovo.com/lenovo/environment>.

WEEE-mærkningen är tillämplig enbart i EU-länderna och Norge. Apparater märks i enlighet med EU-direktiv 2002/96/EG om avfall som utgörs av eller innehåller elektriska eller elektroniska produkter (WEEE). I direktivet fastställs det ramverk för återlämnande och materialåtervinning av uttjänta apparater som gäller inom hela Europeiska unionen. Etiketten sätts fast på produkter av olika slag för att ange att produkten inte får kastas, utan måste återtas i slutet av produktcykeln i enlighet med direktivet. Användare av elektrisk och elektronisk utrustning med WEEE-märkning enligt bilaga IV till WEEE-direktivet får inte kassera sin uttjänta elektriska eller elektroniska utrustning som osorterat kommunalt avfall, utan måste utnyttja det tillgängliga insamlingsnätverket för återlämnande och återvinning av utrustningen och därigenom minimera riskerna för miljö och människans hälsa av utrustningens innehåll av farliga ämnen. Mer WEEE-information finns på adressen: <http://www.lenovo.com/lenovo/environment>.

Značka WEEE se týká pouze zemí Evropské Unie (EU) a Norska. Zařízení jsou označena v souladu s evropskou směrnicí 2002/96/EC, která se týká likvidace starých elektrických a elektronických zařízení (WEEE). Směrnice určuje pravidla pro vrácení a recyklaci použitých zařízení, která jsou platná v Evropské Unii. Tímto štítkem se označují různá zařízení. Označuje, že produkt nesmí být vyhozen do běžného odpadu, ale po skončení životnosti vrácen podle této směrnice. Uživatelé takovýchto zařízení označených značkou WEEE podle dodatku IV směrnice WEEE nesmí na konci životnosti vyhodit zařízení jako netříděný odpad, ale musí použít dostupnou sběrnou síť, aby bylo zařízení recyklováno a aby byly minimalizovány možné dopady zařízení na prostředí a zdraví lidí (zařízení může obsahovat nebezpečné látky). Další informace o značce WEEE naleznete na webové stránce: <http://www.lenovo.com/lenovo/environment>.

Το σήμα WEEE χρησιμοποιείται μόνο σε χώρες τις Ευρωπαϊκής Ένωσης και στη Νορβηγία. Στις συσκευές τοποθετούνται ετικέτες που αφορούν την απόρριψη ηλεκτρικών και ηλεκτρονικών εξαρτημάτων σύμφωνα με την Ευρωπαϊκή Οδηγία 2002/96/EC. Η Οδηγία αυτή καθορίζει το πλαίσιο για την επιστροφή και την ανακύκλωση χρησιμοποιημένων συσκευών που ισχύει σε όλη την Ευρωπαϊκή Ένωση. Η ετικέτα τοποθετείται σε διάφορα προϊόντα για να υποδείξει ότι μετά το μόνιμο τερματισμό της χρήσης του το προϊόν, σύμφωνα με την Οδηγία, πρέπει να ανακυκλωθεί και όχι να απορριφθεί. Οι χρήστες ηλεκτρικών και ηλεκτρονικών εξαρτημάτων (electrical and electronic equipment - EEE) που φέρουν το σήμα WEEE σύμφωνα με το Παράρτημα IV της εν λόγω Οδηγίας, δεν πρέπει να απορρίπτουν τα εξαρτήματα αλλά να χρησιμοποιούν το διαθέσιμο πλαίσιο συλλογής για την επιστροφή, ανακύκλωση και ανάκτηση των εξαρτημάτων με σκοπό την ελαχιστοποίηση δυνητικών επιρροών στο περιβάλλον και την ανθρώπινη υγεία εξαιτίας της παρουσίας επικίνδυνων ουσιών στα εξαρτήματα αυτά.

Για περισσότερες πληροφορίες σχετικά με τις κατάλληλες ενέργειες συλλογής και κατεργασίας ηλεκτρικών και ηλεκτρονικών συσκευών και εξαρτημάτων, επισκεφθείτε τη ιστοσελίδα:

<http://www.lenovo.com/lenovo/environment>.

A WEEE jelzés csak az EU tagállamaira és Norvégiára vonatkozik. A berendezések a leselejtezett elektromos és elektronikus berendezésekre (WEEE) vonatkozó 2002/96/EC számú EU direktívának való megfelelést tanúsító címkével vannak ellátva. A direktíva a használt berendezések visszavételének és újrahasznosításának keretrendszerét határozza meg az Európai Unión belül. A különböző termékeken látható címke azt jelenti, hogy a terméket az élettartamának végén nem szabad kidobni, hanem a direktívának megfelelően kell visszanyerni. A WEEE jelzésű elektromos és elektronikai felszerelések (EEE) felhasználóinak, a WEEE direktíva IV. függelékének megfelelően nem szabad vegyes házi szemétként kidobniuk az eszközöket (EEE), hanem a vásárlók számára rendelkezésre álló, meglévő begyűjtési keretrendszert felhasználva kell gondoskodniuk az elektromos hulladék (WEEE) visszajuttatásáról és újrahasznosításáról, valamint minimalizálniuk kell az eszközök (EEE) lehetséges hatásait a környezetre és az emberi egészségre, a veszélyek megelőzése érdekében.

További WEEE információk:

[Http://www.lenovo.com/lenovo/environment](http://www.lenovo.com/lenovo/environment)

WEEE マークは EU 諸国とノルウェーにのみ適用されます。この機器には、EU 諸国に対する廃電気電子機器指令 2002/96/EC (WEEE) のラベルが貼られています。この指令は、EU 諸国に適用する使用済み機器の回収とリサイクルの骨子を定めています。このラベルは、使用済みになった時に指令に従って適正な処理をする必要があることを知らせるために種々の製品に貼られています。

WEEE 指令の付則 (Annex) IV 規則によりマークされた電気/電子機器 (EEE) の使用者は、使用済みの電気・電子機器を地方自治体の無分別ゴミとして廃棄することは許されず、機器に含まれる有害物質が環境や人体へ与える悪影響を最小に抑えるためにお客様が利用可能な廃電気・電子機器の返却、リサイクル、あるいは再生のための回収方法を利用しなければなりません。WEEE の詳細については、次の Web サイトを参照してください。 [Http://www.lenovo.com/lenovo/environment](http://www.lenovo.com/lenovo/environment)

Appendix E. Electronic emission notices

The following information refers to the ThinkPad X200 UltraBase.

Federal Communications Commission (FCC) Declaration of Conformity

This equipment has been tested and found to comply with the limits for a Class B digital device, pursuant to Part 15 of the FCC Rules. These limits are designed to provide reasonable protection against harmful interference in a residential installation. This equipment generates, uses, and can radiate radio frequency energy and, if not installed and used in accordance with the instructions, may cause harmful interference to radio communications. However, there is no guarantee that interference will not occur in a particular installation. If this equipment does cause harmful interference to radio or television reception, which can be determined by turning the equipment off and on, the user is encouraged to try to correct the interference by one or more of the following measures:

- Reorient or relocate the receiving antenna.
- Increase the separation between the equipment and receiver.
- Connect the equipment into an outlet on a circuit different from that to which the receiver is connected.
- Consult an authorized dealer or service representative for help.

Lenovo is not responsible for any radio or television interference caused by using other than recommended cables or connectors or by unauthorized changes or modifications to this equipment. Unauthorized changes or modifications could void the user's authority to operate the equipment.

This device complies with Part 15 of the FCC Rules. Operation is subject to the following two conditions: (1) this device may not cause harmful interference, and (2) this device must accept any interference received, including interference that may cause undesired operation.

Responsible party:

Lenovo (United States) Incorporated
1009 Think Place - Building One
Morrisville, NC 27560
Telephone: 1-919-294-5900



Industry Canada Class B emission compliance statement

This Class B digital apparatus complies with Canadian ICES-003.

Avis de conformité à la réglementation d'Industrie Canada

Cet appareil numérique de la classe B est conforme à la norme NMB-003 du Canada.

EU-EMC Directive (89/336/EG) EN 55022 class B Statement of Compliance

Deutschsprachiger EU Hinweis:

Hinweis für Geräte der Klasse B EU-Richtlinie zur Elektromagnetischen Verträglichkeit Dieses Produkt entspricht den Schutzanforderungen der EU-Richtlinie 89/336/EWG zur Angleichung der Rechtsvorschriften über die elektromagnetische Verträglichkeit in den EU-Mitgliedsstaaten.

und hält die Grenzwerte der EN 55022 Klasse B ein.

Um dieses sicherzustellen, sind die Geräte wie in den Handbüchern beschrieben zu installieren und zu betreiben. Des Weiteren dürfen auch nur von der Lenovo empfohlene Kabel angeschlossen werden. Lenovo übernimmt keine Verantwortung für die Einhaltung der Schutzanforderungen, wenn das Produkt ohne Zustimmung der Lenovo verändert bzw. wenn Erweiterungskomponenten von Fremdherstellern ohne Empfehlung der Lenovo gesteckt/eingebaut werden.

Deutschland: Einhaltung des Gesetzes über die elektromagnetische Verträglichkeit von Geräten Dieses Produkt entspricht dem "Gesetz über die elektromagnetische Verträglichkeit von Geräten (EMVG)". Dies ist die Umsetzung der EU-Richtlinie 89/336/EWG in der Bundesrepublik Deutschland.

Zulassungsbescheinigung laut dem Deutschen Gesetz über die elektromagnetische Verträglichkeit von Geräten (EMVG) vom 18. September 1998 (bzw. der EMC EG Richtlinie 89/336) für Geräte der Klasse B Dieses Gerät ist berechtigt, in Übereinstimmung mit dem Deutschen EMVG das EG-Konformitätszeichen - CE - zu führen.

Verantwortlich für die Konformitätserklärung nach Paragraf 5 des EMVG ist die Lenovo (Deutschland) GmbH, Pascalstr. 100, D-70569 Stuttgart. Informationen in Hinsicht EMVG Paragraf 4 Abs. (1) 4:

Das Gerät erfüllt die Schutzanforderungen nach EN 55024 und EN 55022 Klasse B.)

European Union - Compliance to the Electromagnetic Compatibility Directive

This product is in conformity with the protection requirements of EU Council Directive 89/336/ECC on the approximation of the laws of the Member States relating to electromagnetic compatibility. Lenovo cannot accept responsibility for any failure to satisfy the protection requirements resulting from a non-recommended modification of the product, including the fitting of option cards from other manufacturers.

This product has been tested and found to comply with the limits for Class B Information Technology Equipment according to European Standard EN 55022. The limits for Class B equipment were derived for typical residential environments to provide reasonable protection against interference with licensed communication devices.

Avis de conformité à la directive de l'Union Européenne

Le présent produit satisfait aux exigences de protection énoncées dans la directive 89/336/CEE du Conseil concernant le rapprochement des législations des Etats membres relatives à la compatibilité électromagnétique. Lenovo décline toute responsabilité en cas de non-respect de cette directive résultant d'une modification non recommandée du produit, y compris l'ajout de cartes en option non Lenovo.

Ce produit respecte les limites des caractéristiques d'immunité des appareils de traitement de l'information définies par la classe B de la norme européenne EN 55022 (CISPR 22). La conformité aux spécifications de la classe B offre une garantie acceptable contre les perturbations avec les appareils de communication agréés, dans les zones résidentielles.

Union Europea - Normativa EMC

Este producto satisface los requisitos de protección del Consejo de la UE, Directiva 89/336/CEE en lo que a la legislatura de los Estados Miembros sobre compatibilidad electromagnética se refiere.

Lenovo no puede aceptar responsabilidad alguna si este producto deja de satisfacer dichos requisitos de protección como resultado de una modificación no recomendada del producto, incluyendo el ajuste de tarjetas de opción que no sean Lenovo.

Este producto ha sido probado y satisface los límites para Equipos Informáticos Clase B de conformidad con el Estándar Europeo EN 55022. Los límites para los equipos de Clase B se han establecido para entornos residenciales típicos a fin de proporcionar una protección razonable contra las interferencias con dispositivos de comunicación licenciados.

Unione Europea - Directiva EMC (Conformidad electromagnética)

Questo prodotto è conforme alle normative di protezione ai sensi della Direttiva del Consiglio dell'Unione Europea 89/336/CEE sull'armonizzazione legislativa degli stati membri in materia di compatibilità elettromagnetica.

Lenovo non accetta responsabilità alcuna per la mancata conformità alle normative di protezione dovuta a modifiche non consigliate al prodotto, compresa l'installazione di schede e componenti di marca diversa da Lenovo.

Le prove effettuate sul presente prodotto hanno accertato che esso rientra nei limiti stabiliti per le apparecchiature di informatica Classe B ai sensi del Norma Europea EN 55022. I limiti delle apparecchiature della Classe B sono stati stabiliti al fine di fornire ragionevole protezione da interferenze mediante dispositivi di comunicazione in concessione in ambienti residenziali tipici.

Korea Class B Compliance

이 기기는 가정용으로 전자파 적합등록을 한 기기로서
주거지역에서는 물론 모든 지역에서 사용할 수 있습니다.

Japan VCCI Class B Compliance

この装置は、情報処理装置等電波障害自主規制協議会（VCCI）の基準に基づくクラスB情報技術装置です。この装置は、家庭環境で使用することを目的としていますが、この装置がラジオやテレビジョン受信機に近接して使用されると、受信障害を引き起こすことがあります。
取扱説明書に従って正しい取り扱いをして下さい。

Japanese statement of compliance for products less than or equal to 20 A per phase

高調波ガイドライン適合品

Appendix F. Trademarks

The following terms are trademarks of Lenovo in the United States, other countries, or both:

- Lenovo
- ThinkPad
- UltraBase
- UltraBay

Other company, product, or service names may be trademarks or service marks of others.

ThinkPad

Part Number: 43R8785

Printed in XXX

(1P) P/N: 43R8785

